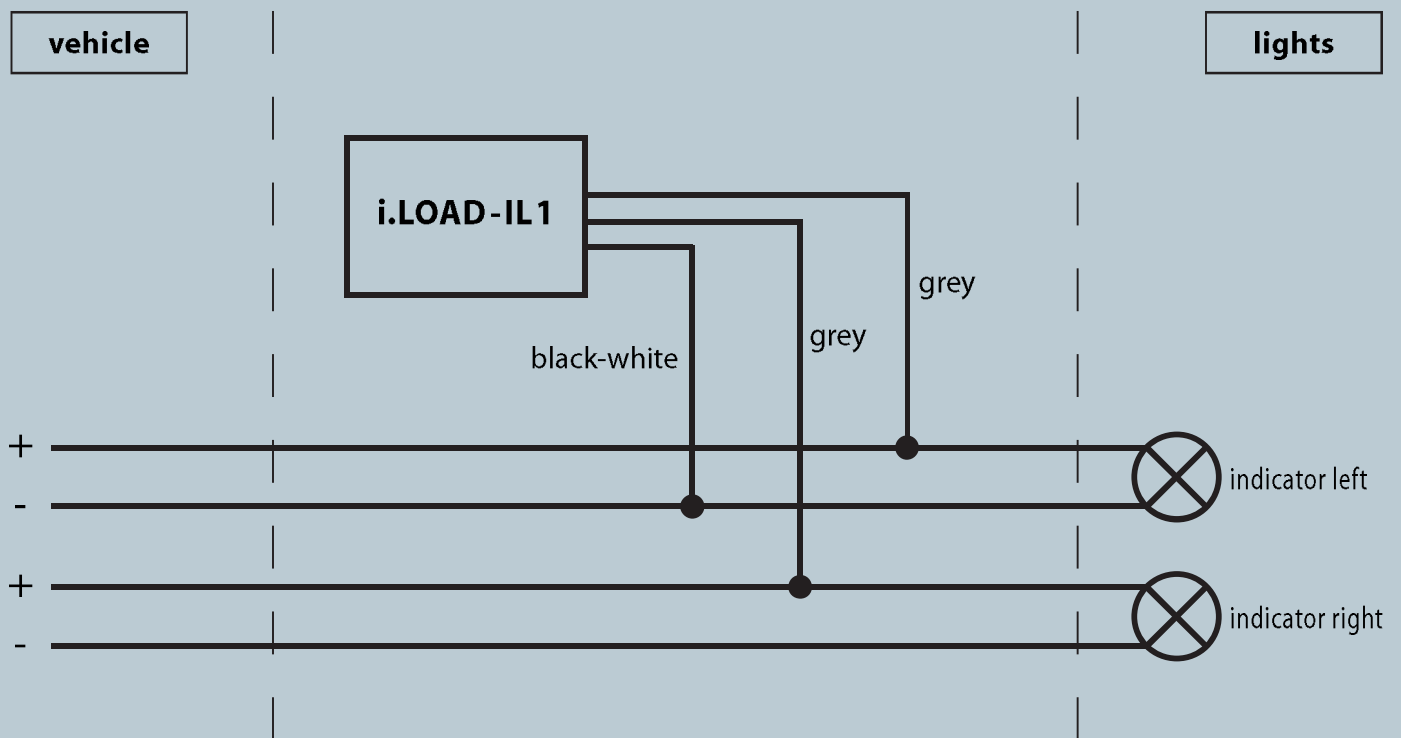


Wiring plan i.LOAD-IL1

Supports the adjustment of the flashing frequency of the indicator control light when Kellermann LED indicators are installed.*



*It might be necessary to additionally activate the option 'LED indicator' in the software.

For 2 indicators one set is needed.